



METAL PANEL

Kit to assemble

About us

Fence Design LLC is a company that works in the field of construction and marketing of metal structures, aimed at businesses and individuals.

We design and manufacture innovative products in the architectural field, with high standards of quality and beauty.

Mision

Our organization is based on offering a full satisfaction experience to each client, understanding the importance of what a product and service of excellence mean.

We are a solid structure that is complemented by constant innovation and that evolves in each project as a human and professional team.

We manufacture and market quality products that are an impressive complement to architectural design and quality of life.

Company

Vision

We are a company that aims at the orderly growth of our capacities.

Always focused on the direction of progress, profitability and common welfare.

With the determination to consolidate ourselves as a leading company in the competitive market.

Values

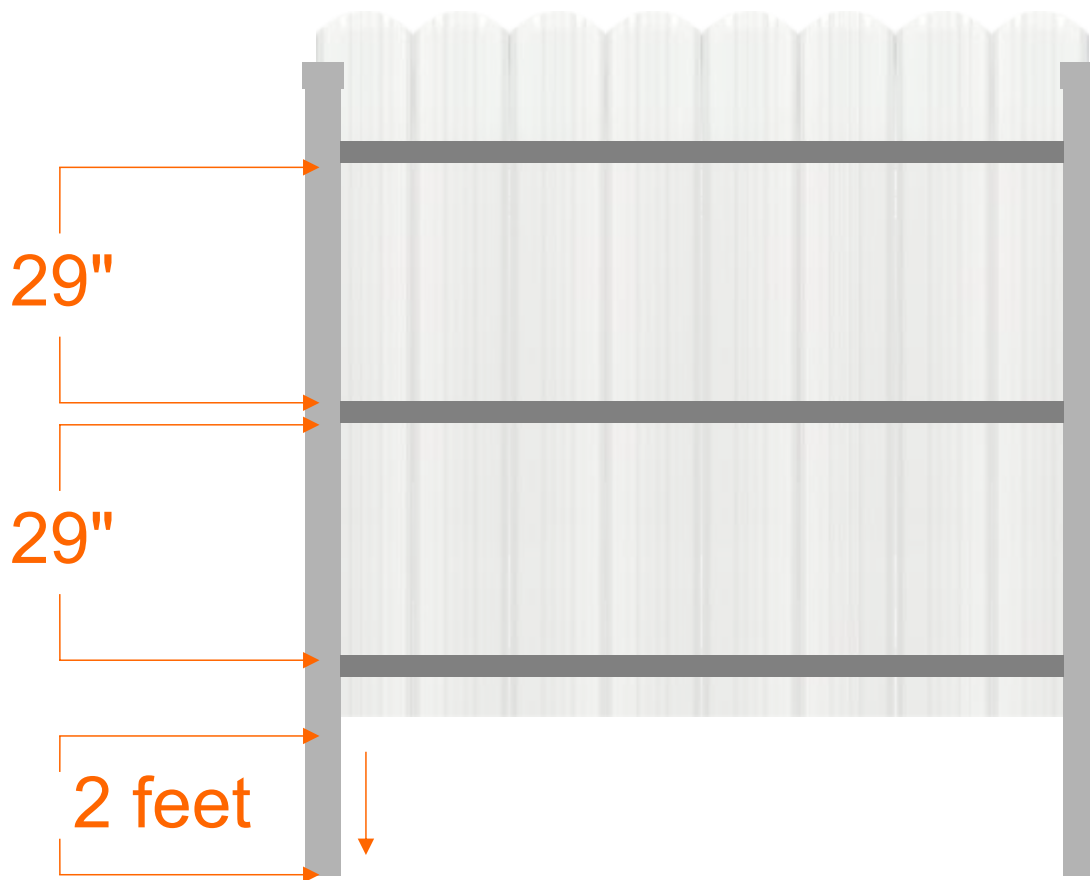
Quality
Innovation
Customer service
Honesty
Responsibility
synergy

Dimensions

Panel 6"

Post: 2,5" x 2,5" x 8'

Rail: 2" x 1" x 24'



Sizes

Panel 7"



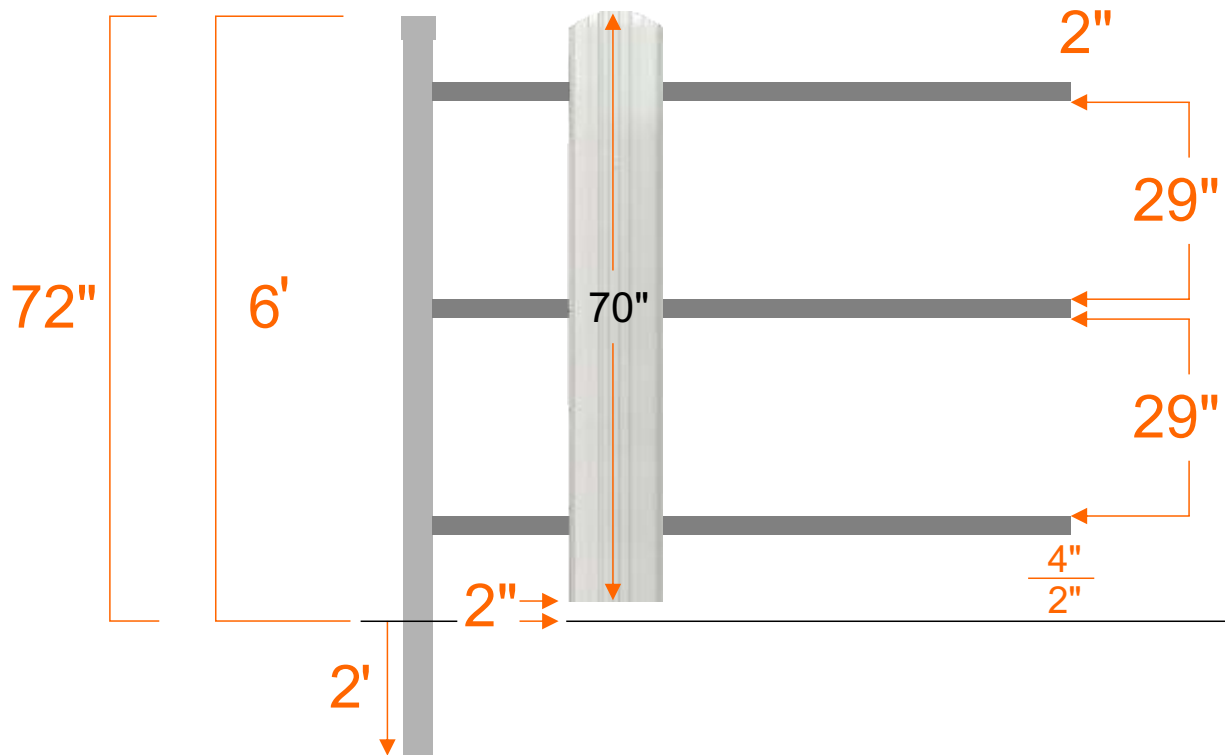
Para el total de láminas por pie multiplicar por 1,92

Panel 6"



Para el total de láminas por pie multiplicar por 2

Structure



Colors

Bronze



White





Cladding, Louver and Structures in Aluminum



<https://fencedesignmiami.com/>



A PRODUCT MADE WITH QUALITY
